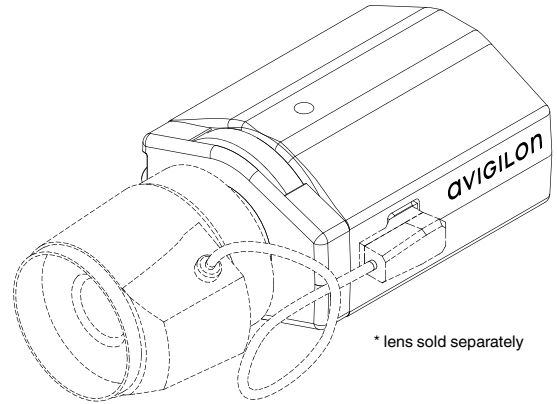


3.0 Megapixel Day/Night High Definition IP Camera



Description

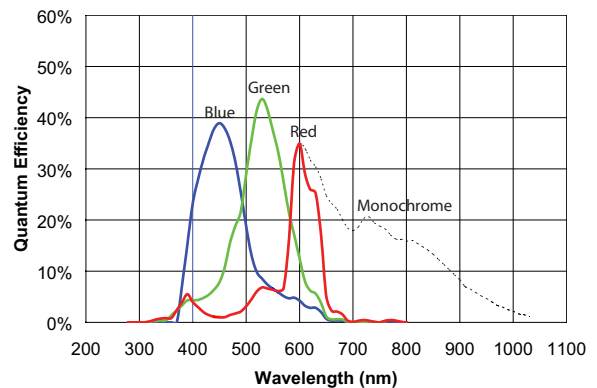
The Avigilon 3.0 megapixel day/night high definition IP camera is a progressive scan CMOS camera designed for a wide range of surveillance applications. It transmits images over 100BASE-TX using advanced JPEG2000 progressive compression technology to achieve the lowest network bandwidth and most efficient image storage in the industry while maintaining unsurpassed image quality.

The camera's advanced image acquisition system automatically adjusts the exposure time, the iris and the removable IR cut filter to ensure all available evidence is captured throughout the full range of day and nighttime scenes. The camera supports C or CS mount lenses and DC-drive auto irises.

The camera seamlessly integrates with Avigilon Control Center NVMS and High Definition NVRs using standard network equipment creating a network based surveillance solution with unmatched performance, ease of use, and ease of installation. Camera power is provided by either Power over Ethernet, 12 VDC, or 24 VAC.

Features

- 3.0 megapixel progressive scan CMOS sensor
- Unsurpassed image quality
- 12 images per second at full resolution and 39 images per second at 1280 x 720
- 61 dB true dynamic range
- 0.2 lux minimum illumination in color mode and 0.02 lux minimum illumination in monochrome mode
- Lossless JPEG2000 compression
- 1/2" optical format
- Automatic exposure control and DC-drive auto iris control
- Automatic removable IR cut filter for IR sensitivity at night
- Compatible with C and CS mount lenses
- Adjustable lens back focus
- Power over Ethernet, 24 VAC or 12 VDC power input
- External I/O and RS-485 interface



Specifications

Camera

Image Sensor	1/2" progressive scan CMOS
Active Pixels	2048 (H) x 1536 (V)
Imaging Area	6.6 mm (H) x 4.9 mm (V) 0.258" (H) x 0.194" (V)
Minimum Illumination	0.2 lux (F1.4) in color mode 0.02 lux (F1.4) in monochrome mode
Dynamic Range	61 dB
Lens Mount	CS
Image Compression Method	JPEG2000
Image Rate	12 (at full resolution) 39 (at 1280 x 720)
Resolution Windowing	Down to 640 x 480 Window
Motion Detection	Selectable sensitivity and threshold
Electronic Shutter Control	Automatic, Manual (2 to 1/30000 sec)
Iris Control	Automatic, Manual
Day/Night Control	Automatic, Manual
Flicker Control	50 Hz, 60 Hz
White Balance	Automatic, Manual
Backlight Compensation	Automatic
Privacy Zones	Up to 4 zones
External I/O Terminals	Alarm In, Alarm Out, RS-485

Network

Network	100BASE-TX
Cabling Type	CAT5
Connector	RJ-45
Security	SSL
Protocol	UDP, TCP, SOAP, DHCP, Zeroconf

Mechanical

Dimensions (LxWxH)	85 mm x 67 mm x 53 mm 3.3" x 2.6" x 2.1"
Weight	0.53 kg (1.2 lbs) without lens
Camera Mount	1/4" UNC-20 (top and bottom)

Electrical

Power Source	VDC: 12-24 V VAC: 24 V PoE: IEEE802.3af Class 3 compliant
Power Consumption	6 W
Power Connector	2-pin terminal block

Environmental

Operating Temperature	-10 °C to +50 °C (14 °F to 122 °F)
Storage Temperature	-10 °C to +70 °C (14 °F to 158 °F)
Humidity	20 - 80% Relative humidity (non-condensing)

Certifications

CE, Class A
FCC, Class A
UL/cUL Listed

Ordering Information

3.0MP-HD-DN	3.0 Megapixel Day/Night High Definition IP Camera
-------------	---

Outline Dimensions

