

3.0 Megapixel WDR Day/Night H.264 HD 3-9mm Camera



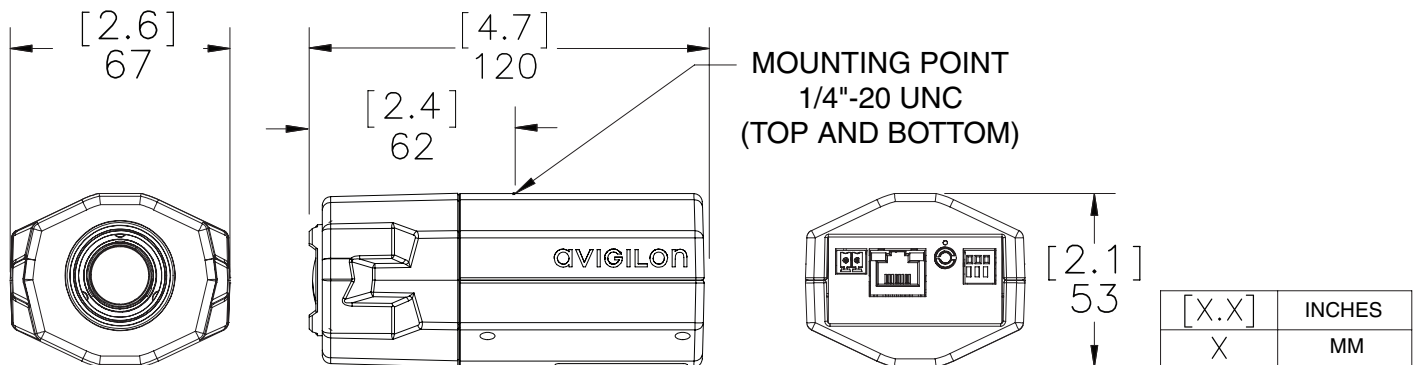
The 3.0MP H.264 HD camera features an integrated lens for remote focus and zoom control, and is ONVIF compliant for no-hassle integration. It operates on Avigilon's new H3 platform, an upgrade to the existing H.264 platform, providing this model with greater resolution support, improved low light performance with wide dynamic range support and enhanced HDSM features. P-Iris control also allows the camera to automatically set its iris position to maximize image quality in all lighting conditions. This camera is extremely versatile and can work in almost any location, including banks, schools, retail outlets, municipal grounds and buildings, hotels, bars and restaurants.

KEY FEATURES

- 3.0 megapixel progressive scan CMOS sensor
- Unsurpassed image quality
- 3-9mm, F1.2 P-Iris lens with remote focus and zoom
- 20 images per second at full resolution
- 100dB true dynamic range
- 0.2 lux minimum illumination in color mode and 0.02 lux minimum illumination in monochrome mode
- H.264 and Motion JPEG compression
- ONVIF compliant API
- Multiple video streams
- Automatic exposure control and iris control
- Automatic removable IR cut filter for IR sensitivity at night
- Power over Ethernet, 24 VAC or 12 VDC power input
- Audio Input and Output
- Analog Video Output
- External I/O

H.264 HD CAMERA

Outline Dimensions



Specifications

CAMERA

Image Sensor	WDR 1/3" progressive scan CMOS
Active Pixels	2048 (H) x 1536 (V)
Imaging Area	4.5 mm (H) x 3.4 mm (V) (0.177" (H) x 0.133" (V))
Minimum Illumination	0.2 lux (F1.2) in color mode; 0.02 lux (F1.2) in monochrome mode
Dynamic Range	100 dB
Lens	3-9 mm, F1.2, P-Iris, remote focus and zoom
Angle of View	28° - 84°
Image Compression Method	H.264 (MPEG-4 Part 10/AVC), Motion JPEG
Image Rate	20 (at full resolution), 30 (at 1920 x 1080 or smaller)
Streaming	Multi-stream H.264 and Motion JPEG
Resolution Scaling	Down to 480 x 360
Motion Detection	Selectable sensitivity and threshold
Electronic Shutter Control	Automatic, Manual (1/6 to 1/8000 sec)
Iris Control	Automatic, Manual
Day/Night Control	Automatic, Manual
Flicker Control	50 Hz, 60 Hz
White Balance	Automatic, Manual
Privacy Zones	Up to 4 zones
Audio Compression Method	G.711 PCM 8 kHz
Audio Input	Line input, A/V mini-jack (3.5 mm)
Audio Output	Line level, A/V mini-jack (3.5 mm)
Video Output	NTSC/PAL, A/V mini-jack (3.5 mm)
External I/O Terminals	Alarm In, Alarm Out

NETWORK

Network	100BASE-TX
Cabling Type	CAT5
Connector	RJ-45
API	ONVIF compliant (www.onvif.org)
Security	Password protection, HTTPS encryption, digest authentication, WS authentication, user access log.
Protocol	IPv4, HTTP, HTTPS, SOAP, DNS, NTP, RTSP, RTCP, RTP, TCP,UDP, IGMP, ICMP, DHCP, Zeroconf, ARP
Streaming Protocols	RTP/UDP, RTP/UDP multicast, RTP/RTSP/TCP, RTP/RTSP/HTTP/TCP, RTP/RTSP/HTTPS/TCP, HTTP

MECHANICAL

Dimensions (LxWxH)	120mm x 67mm x 53mm (4.7" x 2.6" x 2.1")
Weight	0.47 kg (1.0 lbs)
Camera Mount	1/4" UNC-20 (top and bottom)

ELECTRICAL

Power Source	VDC: 12 V VAC: 24 V PoE: IEEE802.3af Class 3 compliant
Power Consumption	6 W
Power Connector	2-pin terminal block

ENVIRONMENTAL

Operating Temperature	-10 °C to +50 °C (14 °F to 122 °F) -10 °C to +45 °C (14 °F to 113 °F) with 12 VDC power source
Storage Temperature	-10 °C to +70 °C (14 °F to 158 °F)
Humidity	20 - 80% Relative humidity (non-condensing)

CERTIFICATIONS

Safety	UL 60950 CSA 60950 EN 60950-1	CE ROHS WEEE
Electromagnetic Emissions	FCC Part 15 Subpart B Class B IC ICES-003 Class B EN 55022 Class B	
Electromagnetic Immunity	EN 55024 EN 61000-4-2 EN 61000-4-3 EN 61000-4-4	EN 61000-4-5 EN 61000-4-6 EN 61000-4-11

ORDERING INFORMATION

3.0W-H3-B2	3.0 Megapixel WDR Day/Night H.264 HD 3-9mm Camera
------------	---